

Gilian 3500

Air Sampling Pump

SERVICE PARTS LIST



SENSIDYNE®

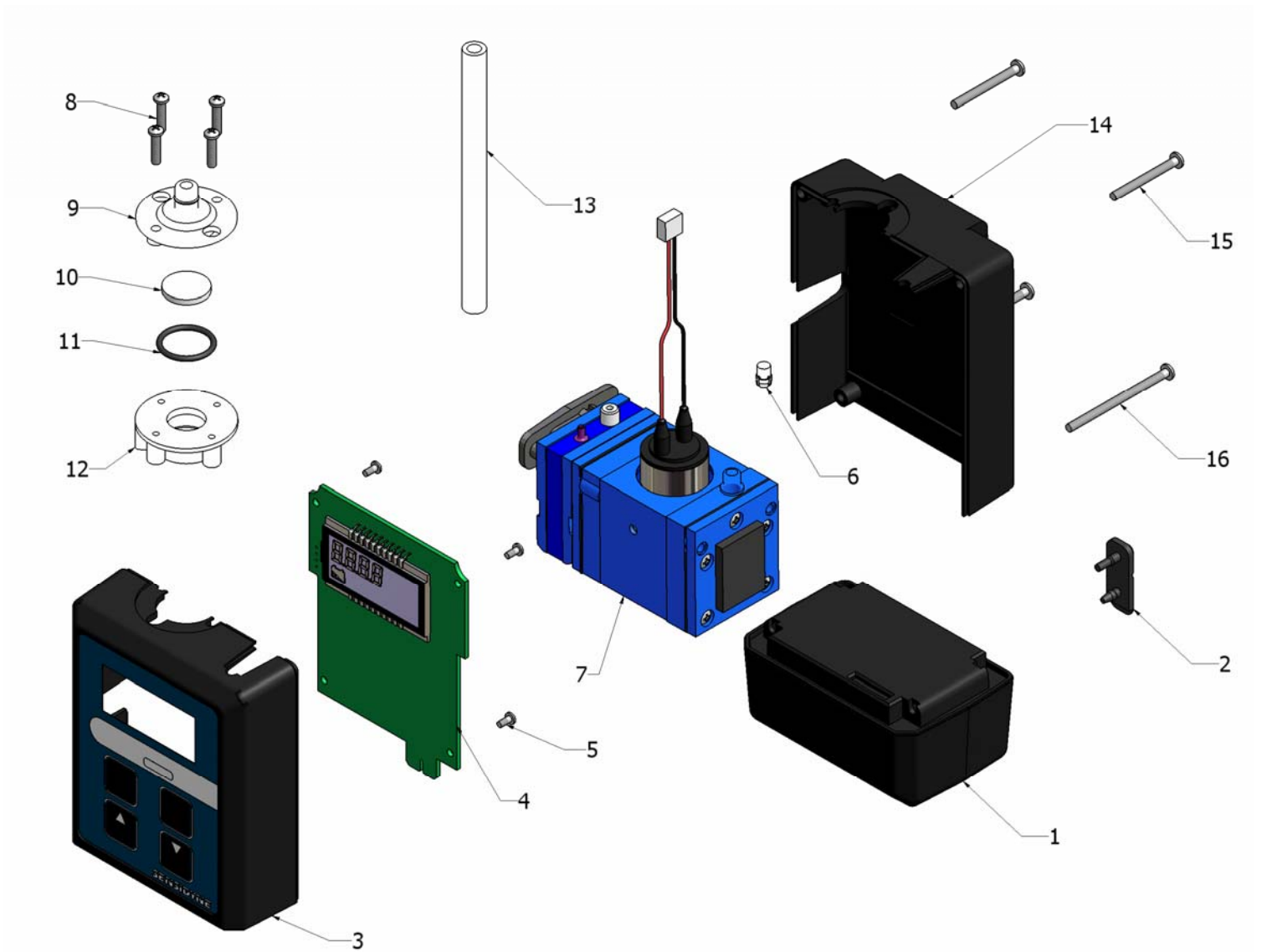
16333 Bay Vista Dr. • Clearwater, FL 33760 USA
(800) 451-9444 • (727) 530-3602 • (727) 539-0550 [FAX] • www.sensidyne.com

REF 360-0112-01 (REV A)

GILIAN 3500 SERVICE PARTS LIST

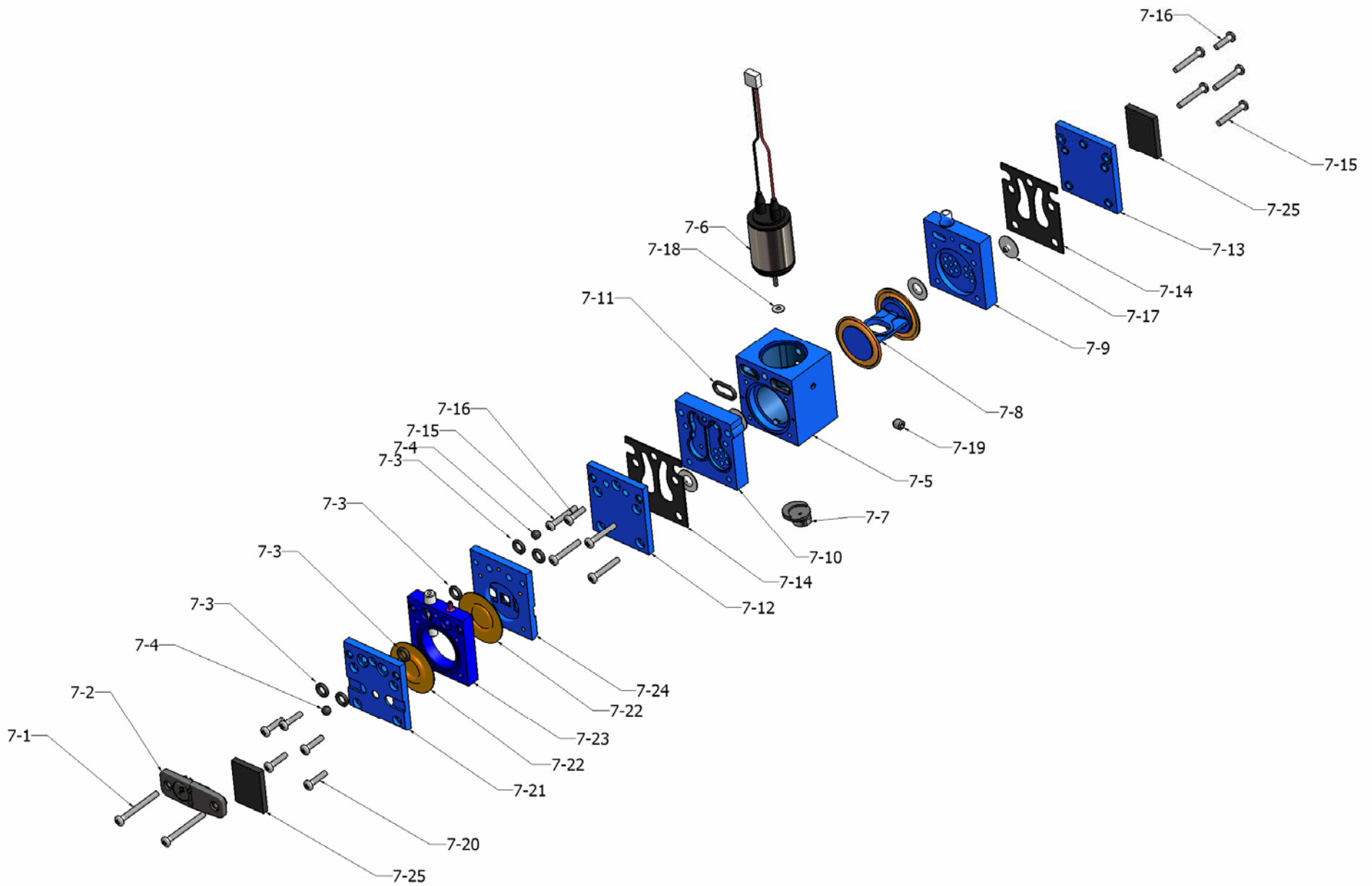
Item No.	Part No.	Description
1	801930	Rechargeable Battery Pack (includes item 2)
2	202783	Jack Cover only
3	801969	Front Case Assembly (includes Keypad)
4**	850276-2	PCA Control Board
5	6096-0203-25	Screw Self Tapping #2(4 required)(sold in pack of 25)
6	402255	Lens, LED Green
7**	811-0016-01	Pneumatic Assembly, Gilian 3500 (See Figure 2) (includes items 7-1 thru 7-25)
7-1	6075-0418-25	Screw for Top Insert (2 required) (Sold in pack of 25)
7-2	801972	Top Insert with Vent Plug
7-3	1970-0008	O-Ring (6 required) (2 for Top Insert)
7-4	400330	Buna Ball (2 required)
7-5**	200719	Pump Body
7-6**	811-0812-01	Motor with Connector
7-7**	811-0813-01	Bearing & Eccentric Assembly
7-8**	800649	Yoke Assembly
7-9**	801932	Bottom Valve Plate Assembly
7-10**	800487	Top Valve Plate Assembly
7-11**	5274-0011	Quad Ring (4 required)
7-12**	200015	Top Plate
7-13**	201078	Bottom Plate
7-14**	200704	Pump Gasket (2 required)
7-15**	401931-750-25	Plate Screw (8 required) (Sold in pack of 25)
7-16**	401930-437-25	Plate Screw (2 required) (Sold in pack of 25)
7-17**	201320-40	Valve-Pull-In (Silicone) (2 required per plate)
7-18	402117	Motor Spacer
7-19	5043-1104-25	Screw-Set #10-32UNF (Sold in pack of 25)
7-20**	6075-0408-25	#4-40 x ½" Pan Head Screw (5 required) (Sold in pack of 25)
7-21**	201079	Damper Top Plate
7-22**	400017	Diaphragm (2 required)
7-23**	615-0001-01	Damper Plate Assembly (w/Orifices)
7-24**	202904	Damper Bottom Plate
7-25	201063	Neoprene Pad (2 required)
8	6075-0408-25	Manifold Assembly Screw (2 required) (Sold in pack of 25)
9	202771	Manifold Top Inlet
10	811-0012-01	Filter (Pack of 10)
11	7015044-70-016	O-Ring
12	801970	Manifold Bottom Assembly
13	6026-6205	Tygon Tubing (5/16 OD x 3/16ID) (Sold 1' min length)
14	801989	Rear Case Assembly
15	6075-0418-25	Rear Case Screw (2 required) (Sold in pack of 25)
16	6075-0428-25	Battery Pack Mounting Screw (2 required) (Sold in pack of 25)

** Replacement of these parts requires Authorized Service Center electronic alignment procedures and equipment.



Note:
An exploded view of item 7
can be found in figure 2

**Gilian 3500 (P/N 801934)
Figure 1**



Pneumatics Assembly (P/N 811-0016-01) Figure 2